

**CODE 52057, 52059, 52071, 52072**

ASSEMBLY PAGE NAME		Machine Assembly	Miscellaneous items
CODE NO.:	FIGURE NO.:	A	-
52057	V405-S CE	1	1
52071	V405-S AUS	1	1
52059	V405-TP CE	2	1
52072	V405-TP AUS	2	1

**Figure A: Machine Assembly**

Item	Description	Part Number	QTY	1	2
1	FRONT PANEL	W95X0355R	1	X	X
2	REAR PANEL	W95X0356R	1	X	X
3	COMPLETE EXTERNAL BASE	W93X0387R	1	X	X
4	WRAPAROUND TOP	W93X0386R	1	X	X
5	WRAPAROUND LEFT	W93X0388R	1	X	X
	+ SIDE DECAL	W07X0823-1R			
6	WRAPAROUND RIGHT	W93X0389R	1	X	X
	+ SIDE DECAL	W07X0823-2R			
7	CONTROL PANEL S	W93X0828R	1	X	•
	+ FRONT DECAL	W07X0832R			
7	CONTROL PANEL TP	W93X0829R	1	•	X
	+ FRONT DECAL	W07X0834R			
8	HF TRANSFORMER	W59X0492R	1	•	X
9	AUXILIARY TRANSFORMER	W59X0417R	1	X	X
10	FAN	W66X0477R	2	X	X
11	INPUT CABLE CLAMP	W8403222R	1	X	X
12	INPUT SWITCH	W7511706R	1	X	X
13	DINSE CONNECTOR	W7690351R	2	X	X
14	INPUT P.C. BOARD	W05X0486R	1	X	X
15	INVERTER P.C. BOARD	W05X0430R	4	X	X
16	HF P.C. BOARD	W05X0285R	1	•	X
17	HALL SENSOR P.C. BOARD	W05X0380R	2	X	X
18	SMPS P.C. BOARD	W05X0487R	1	X	X
19	DISPLAY P.C. BOARD S	W05X0713R	1	X	•
	+ SWITCH COVER CAP	W7500007R	3		
19	DISPLAY P.C. BOARD TP	W05X0714R	1	•	X
	+ SWITCH COVER CAP	W7500007R	2		
20	CONTROL INTERFACE P.C. BOARD	W05X0568R	1	X	X
21	CONTROL P.C. BOARD	W05X0233R	1	X	X
22	REMOTE P.C. BOARD WITH REMOTE CONNECTOR	W05X0322R	1	X	X
23	TRIGGER CONNECTOR	W6100315R	1	•	X

24	KNOB (LARGE)	W8700030R	1	X	X
25	KNOB (SMALL)	W8700016R	2	X	•
25	KNOB (SMALL)	W8700016R	6	•	X
26	FEMALE QUICK CONNECT GAS CONNECTOR	W8800076R	1	•	X
27	INPUT CORD	W78X0853R	1	X	X
28	HANDLE	W92X0375-1R	1	X	X
29	GAS SOLENOID	W8500004R	1	•	X

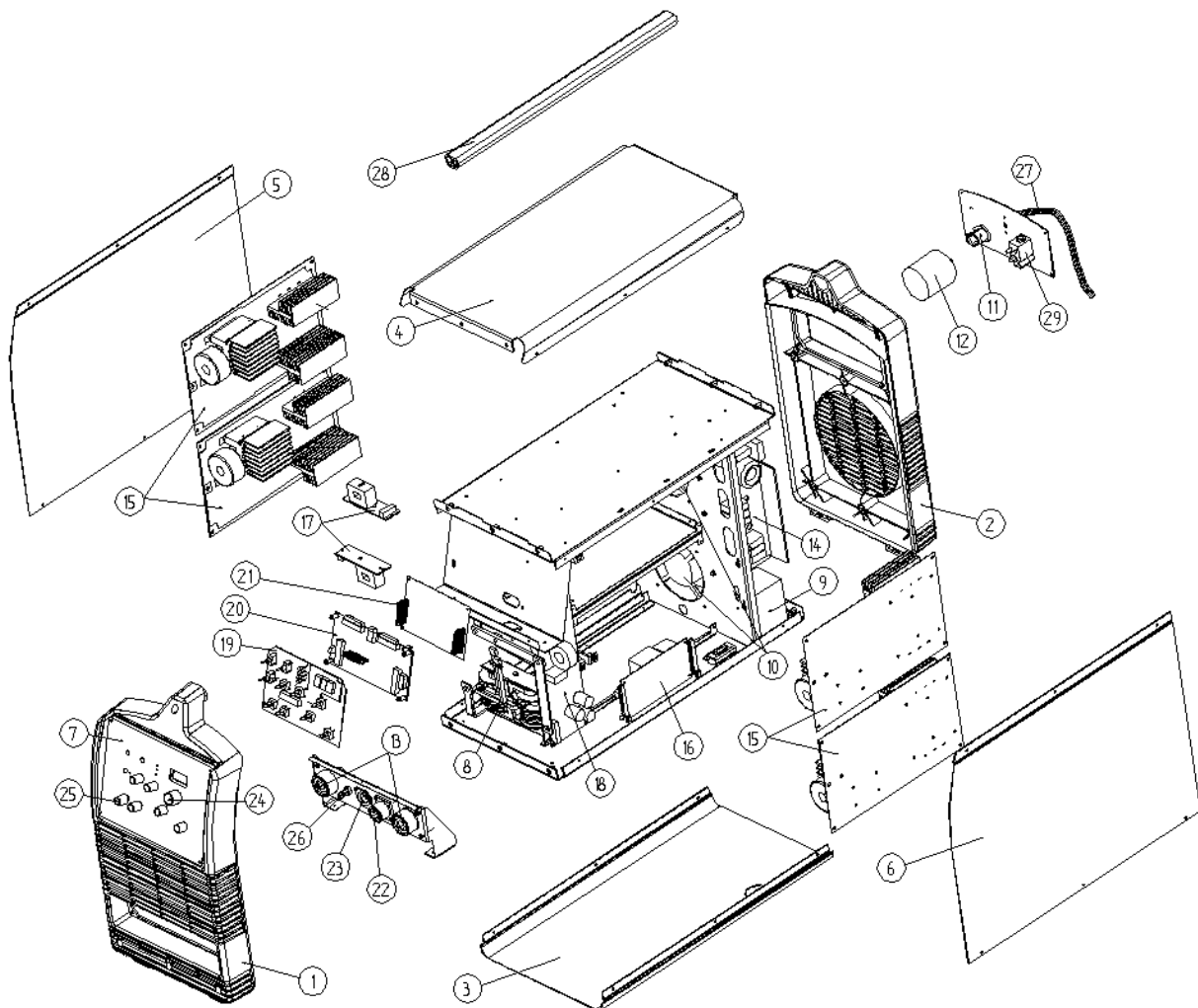


Figure A